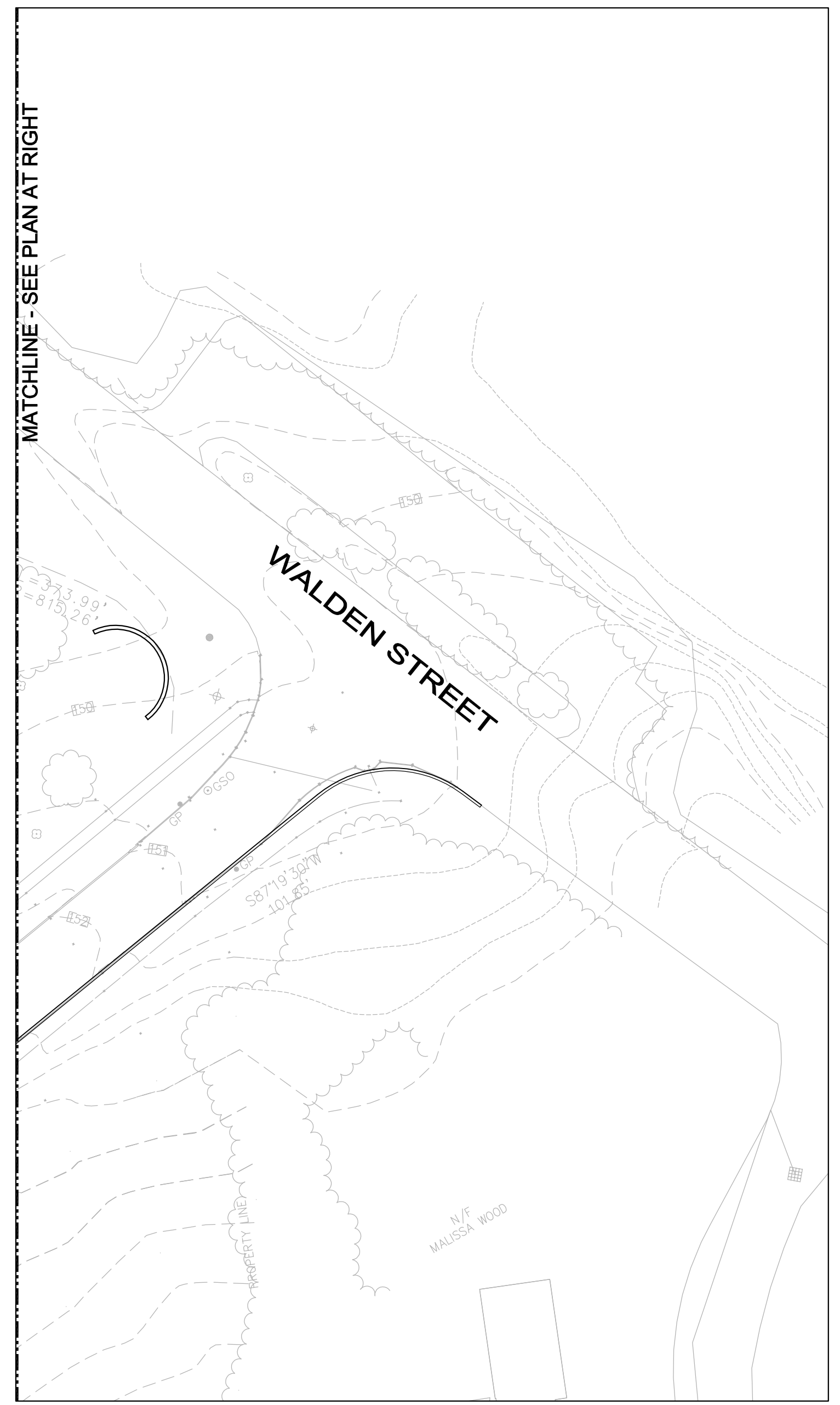


PLANTING NOTES
 1. REFER TO SHEET L3.1F FOR PLAN LIST, PLANTING NOTES, AND PLANTING DETAILS



MATCHLINE - SEE PLAN AT RIGHT

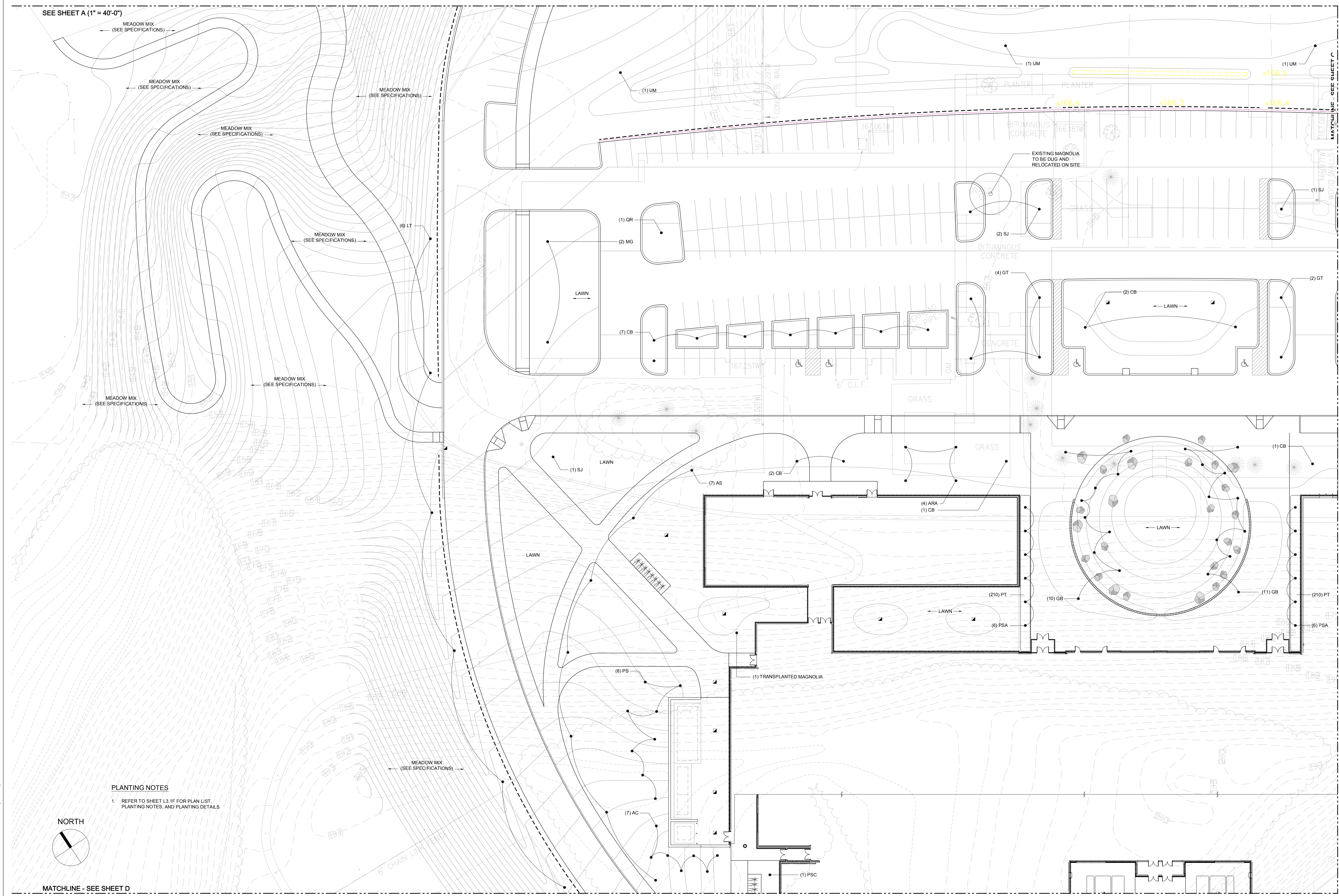
MATCHLINE - SEE INSET PLAN

SEE SHEET B (1" = 20'-0")

SEE SHEET C (1" = 20'-0")

<p>Architect: omr architects inc 543 Massachusetts Ave, West Acton, MA 01720 www.omr-architects.com t: 978.264.0160</p>	<p>Consulting Engineer: Brown Sardina Brown Sardina, Inc. Planning, Landscape Architecture 129 South Street Boston, MA 02111 Tel: 617.482.4703 Facsimile: 617.482.4882 www.brownsardina.com</p>	<p>Registration: Design Development Submission</p>	<p>Project Name and Address: Concord-Carlisle Regional High School 500 Walden Street Concord, MA 01742</p>	<p>Issue Submissions: No. Date Description 8/15/2012 Design Development Submission</p>	<p>Title: Planting Plan</p> <p>Date: August 15, 2012 Scale: 1" = 40'-0" Drawn: LPO/BB Checked: WFB</p>	<p>Project No.: 1102.00 Drawing No.: L4.1A © omr architects inc</p>
---	--	--	--	--	--	--

Aug 13, 2012 - 11:27am - C:\active\wfs\omr - The Office of Michael Rowland\1105 - concord-carlisle\high-4.1.dwg



SEE SHEET A (1" = 40'-0")

MEADOW MIX
(SEE SPECIFICATIONS)

MEADOW MIX
(SEE SPECIFICATIONS)

MEADOW MIX
(SEE SPECIFICATIONS)

MEADOW MIX
(SEE SPECIFICATIONS)

MEADOW MIX
(SEE SPECIFICATIONS)

PLANTING NOTES
1. REFER TO SHEET L3.1F FOR PLAN LIST,
PLANTING NOTES, AND PLANTING DETAILS

NORTH

MATCHLINE - SEE SHEET D

Aug 13, 2012 - 11:28am - C:\active\mason - The Office of Michael Rowland\1105 - concordCarlisleHighSch-4.1.dwg

Architect:
omr architects inc
543 Massachusetts Ave, West Acton, MA 01720
www.omr-architects.com t: 978.264.0160

Consulting Engineer:
Brown | Sardina
Brown Sardina, Inc.
Planning, Landscape Architecture
129 South Street Boston, MA 02111
Tel: 617.482.4703 Facsimile: 617.482.4882
www.brownsardina.com

Registration:
*Design
Development
Submission*

Project Name and Address:
Concord-Carlisle Regional High School
500 Walden Street
Concord, MA 01742

Issue Submissions:

No.	Date	Description
8/15/2012	8/15/2012	Design Development Submission

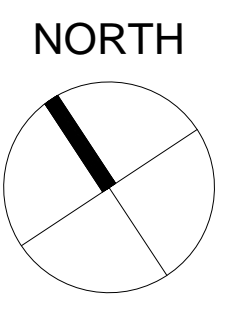
Title:
Planting Plan

Date: August 15, 2012
Scale: 1" = 20'-0"
Drawn: LPO/BB
Checked: WFB

Project No.: 1102.00
Drawing No.: L4.1B
© omr architects inc



PLANTING NOTES
 1. REFER TO SHEET L3.1F FOR PLAN LIST, PLANTING NOTES, AND PLANTING DETAILS



MATCHLINE - SEE SHEET E

Aug 13, 2012 - 5:28pm - F:\projects\Bldg\106 - Concord Carlisle\submissions\2012\10615 - 10615A_Submission\dwg\L4.1.dwg

Architect: omr architects inc 543 Massachusetts Ave, West Acton, MA 01720 www.omr-architects.com t: 978.264.0160	Consulting Engineer: Brown Sardina Brown Sardina, Inc. Planning, Landscape Architecture 129 South Street Boston, MA 02111 Tel: 617.482.4703 Facsimile: 617.482.4882 www.brownsardina.com	Registration: Design Development Submission	Project Name and Address: Concord-Carlisle Regional High School 500 Walden Street Concord, MA 01742	Issue Submissions: No. Date Description 8/15/2012 Design Development Submission		Title: Planting Plan		Project No.: 1102.00	
				Date: August 15, 2012		Scale: 1" = 20'-0"		Drawn: LPO/BB	

L4.1C
 © omr architects inc

MATCHLINE - SEE SHEET B

5 TENNIS COURTS
BITUMINOUS CONCRETE

8' CHAIN LINK FENCE

MEADOW MIX
(SEE SPECIFICATIONS)

(7) ARR

(6) PSC

(1) ZS

(1) TRANSPANTED MAGNOLIA
(12) IG
(50) PEH
(40) PT

(30) JUG

(1) ARA

(80) JUC

(9) APS

(70) PEH

(140) RG

(21) APS

(1) ARR

(1) PSC

(12) IG

(50) PEH

(40) PT

(9) JUG

(8) GB

(21) PEH

(5) CS

(18) PEH

(30) PEH

(10) JUG

(24) APS

(17) JUG

(14) APS

(18) PEH

(9) JUG

(10) GB

(15) APS

(1) PSC

(15) APS

(1) ARR

(1) ARR

(1) ARR

(1) ARR

(1) ARR

(1) ARR

(1) ARR

(1) ARR

(1) ARR

(1) ARR

(1) ARR

(1) ARR

(1) ARR

(1) ARR

(1) ARR

(1) ARR

(1) ARR

(1) ARR

(1) ARR

(1) ARR

(1) ARR

(1) ARR

(1) ARR

(1) ARR

(1) ARR

(1) ARR

(1) ARR

(1) ARR

(1) ARR

MEADOW MIX
(SEE SPECIFICATIONS)

4.5' CHAIN LINK FENCE

4.5' CHAIN LINK FENCE

4.5' CHAIN LINK FENCE

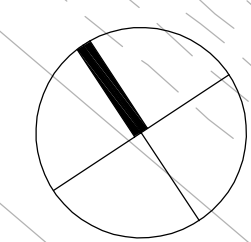
4.5' CHAIN LINK FENCE

4.5' CHAIN LINK FENCE

4.5' CHAIN LINK FENCE

PLANTING NOTES
1. REFER TO SHEET L3.1F FOR PLAN LIST,
PLANTING NOTES, AND PLANTING DETAILS

NORTH



MATCHLINE - SEE SHEET F

Architect:
omr architects inc
543 Massachusetts Ave, West Acton, MA 01720
www.omr-architects.com t: 978.264.0160

Consulting Engineer:
Brown | Sardina
Brown Sardina, Inc.
Planning, Landscape Architecture
129 South Street Boston, MA 02111
Tel: 617.482.4703 Facsimile: 617.482.4882
www.brownsardina.com

Registration:
**Design
Development
Submission**

Project Name and Address:
Concord-Carlisle Regional High School
500 Walden Street
Concord, MA 01742

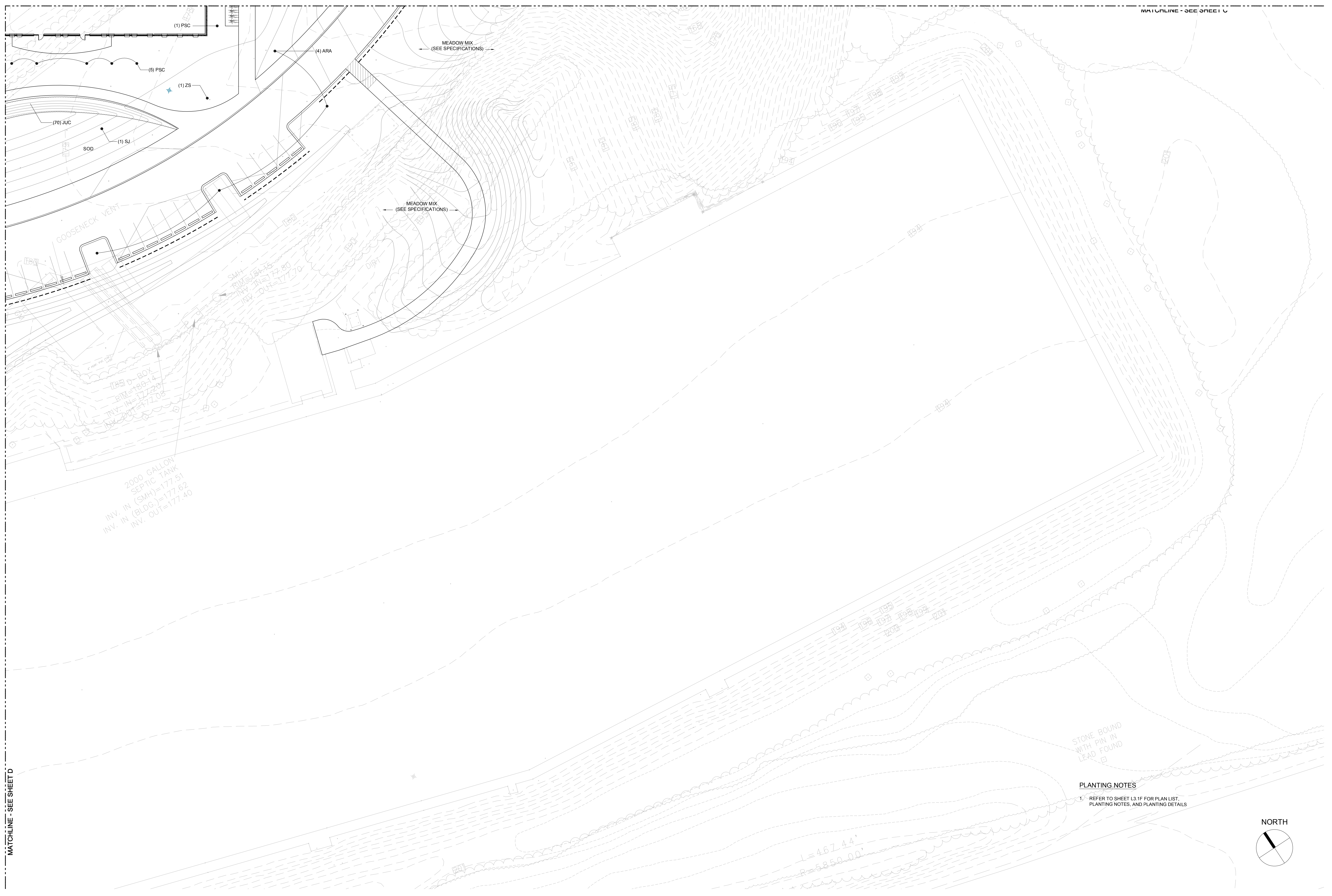
Issue Submissions:	
No.:	Date: Description:
1	8/15/2012 Design Development Submission

Title:
Planting Plan

Date: August 15, 2012 Scale: 1" = 20'-0" Drawn: LPO/BB Checked: WFB

Project No.: 1102.00
Drawing No.: **L4.1D**
© omr architects inc

Aug 13, 2012 - 11:34am - C:\Users\michael\OneDrive\Projects\1102 - Concord Carlisle\HighSch\4.1.dwg

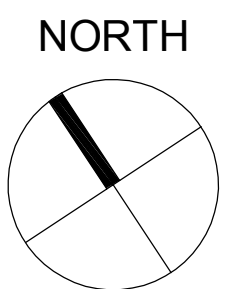


MATCHLINE - SEE SHEET U

MATCHLINE - SEE SHEET D

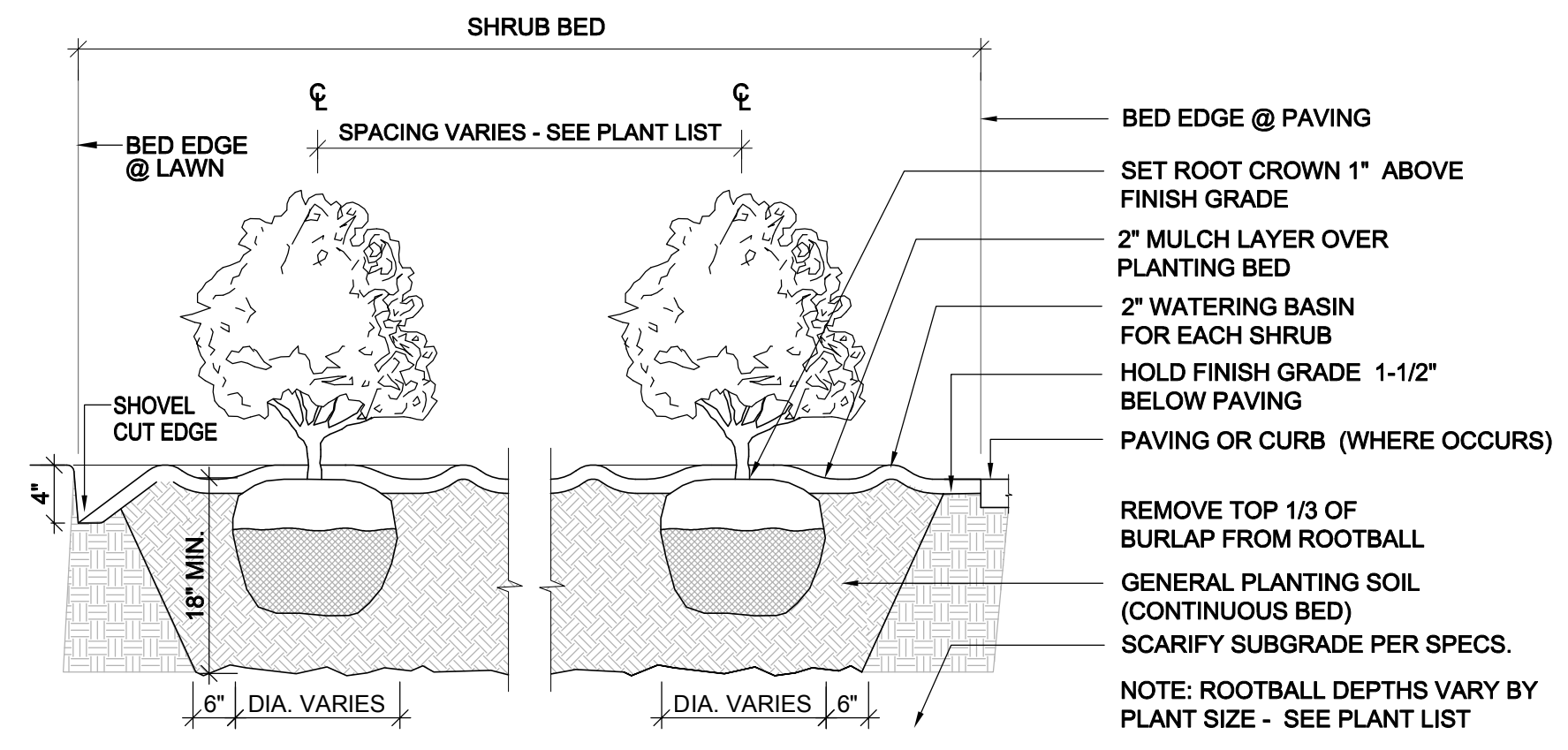
STONE BOUND WITH PIN IN LEAD FOUND

PLANTING NOTES
 1. REFER TO SHEET L3.1F FOR PLAN LIST, PLANTING NOTES, AND PLANTING DETAILS

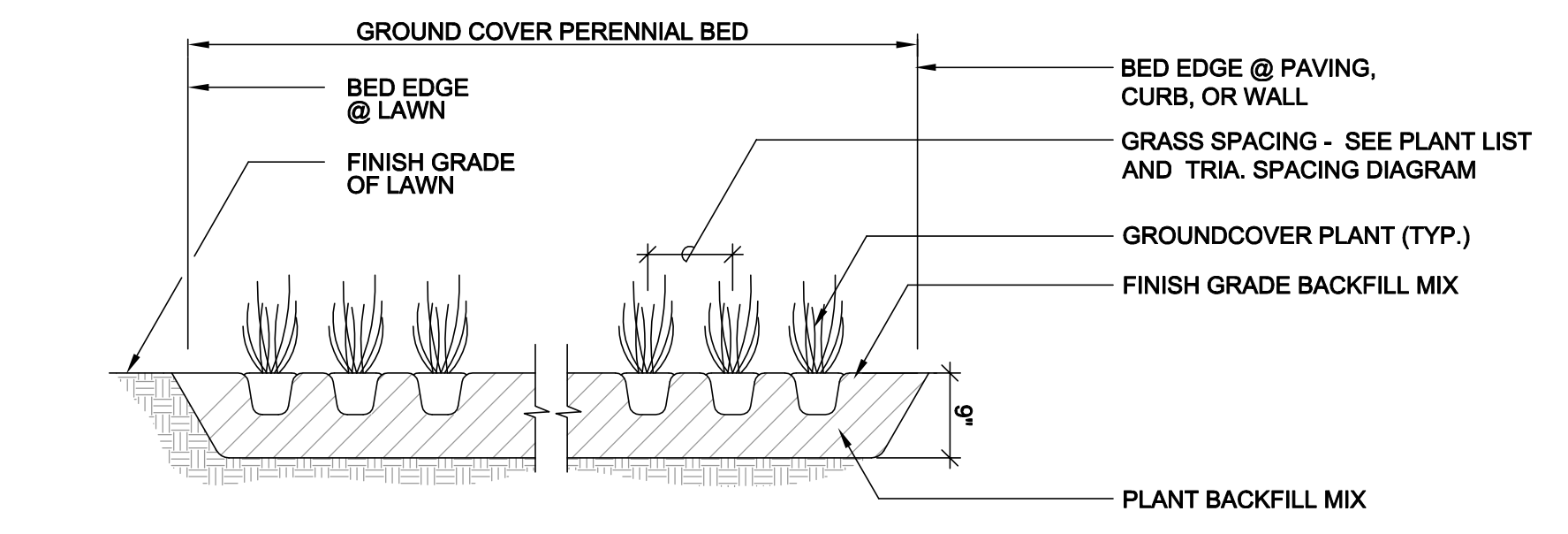


<p>Architect: omr architects inc 543 Massachusetts Ave, West Acton, MA 01720 www.omr-architects.com t: 978.264.0160</p>	<p>Consulting Engineer: Brown Sardina Brown Sardina, Inc. Planning, Landscape Architecture 129 South Street Boston, MA 02111 Tel: 617.482.4703 Facsimile: 617.482.4882 www.brownsardina.com</p>	<p>Registration: Design Development Submission</p>	<p>Project Name and Address: Concord-Carlisle Regional High School 500 Walden Street Concord, MA 01742</p>	<p>Issue Submissions: No. Date Description 8/15/2012 Design Development Submission</p>	<p>Title: Planting Plan</p> <p>Date: August 15, 2012</p> <p>Scale: 1" = 20'-0"</p> <p>Drawn: LPO/BB</p> <p>Checked: WFB</p>	<p>Project No.: 1102.00</p> <p>Drawing No.: L4.1E</p> <p>© omr architects inc</p>
---	--	--	--	--	---	--

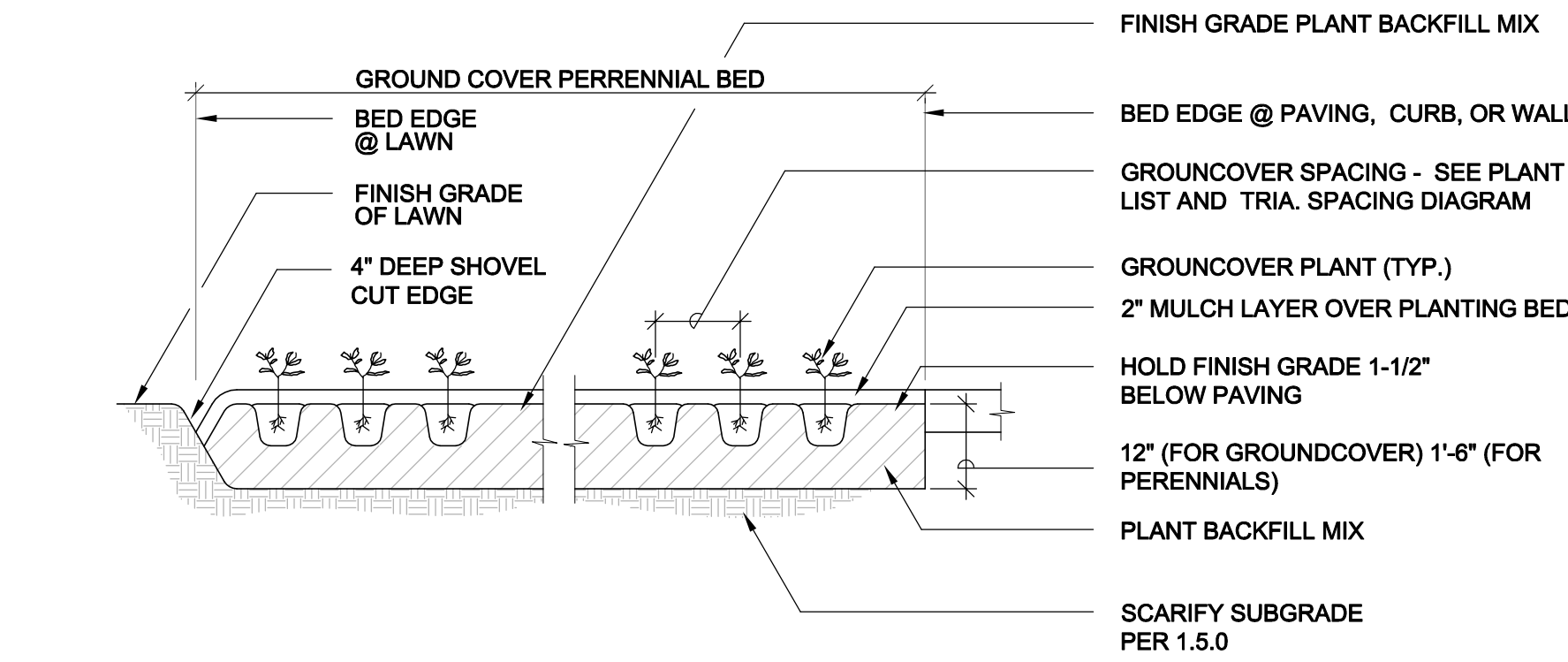
Aug 13, 2012 - 11:58am - Plactive Review - The Office of Michael Rowland/1005 - concord Carlisle/High-4.1.dwg



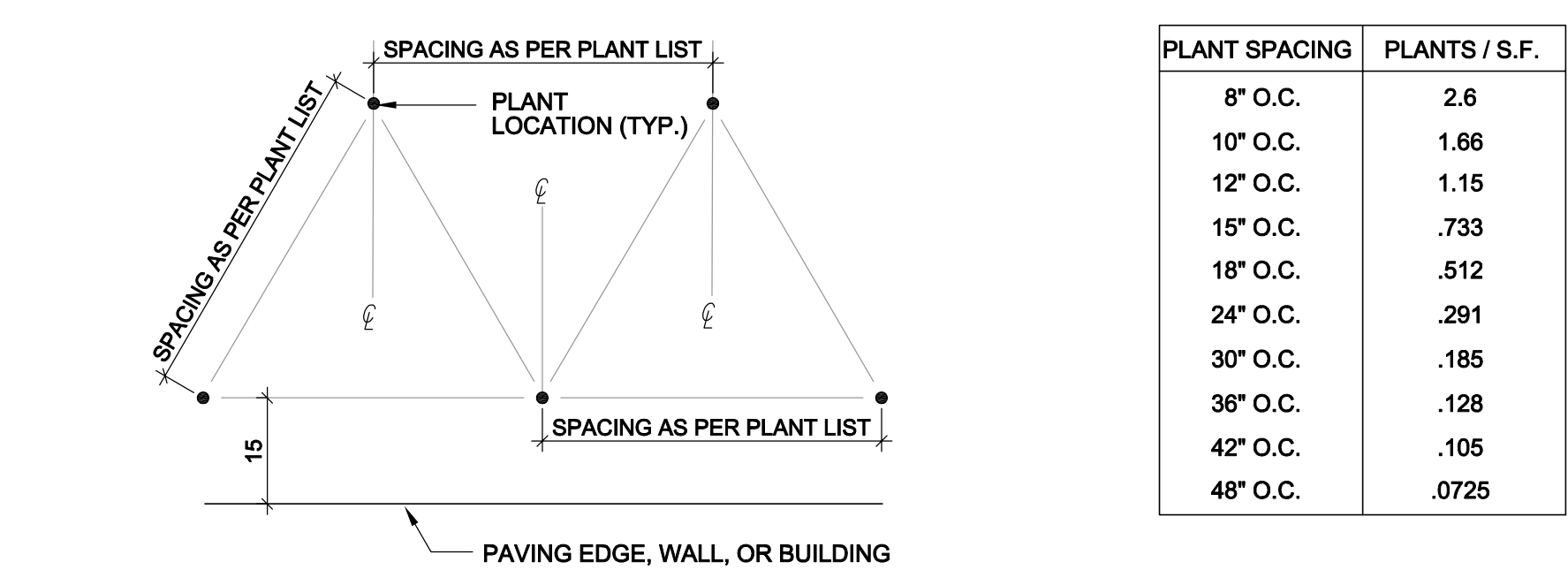
2 SHRUB PLANTING
SCALE: N.T.S.



3 GRASS PLANTING DETAIL
SCALE: NO SCALE



4 GROUND COVER / PERENNIAL PLANTING
SCALE: N.T.S.



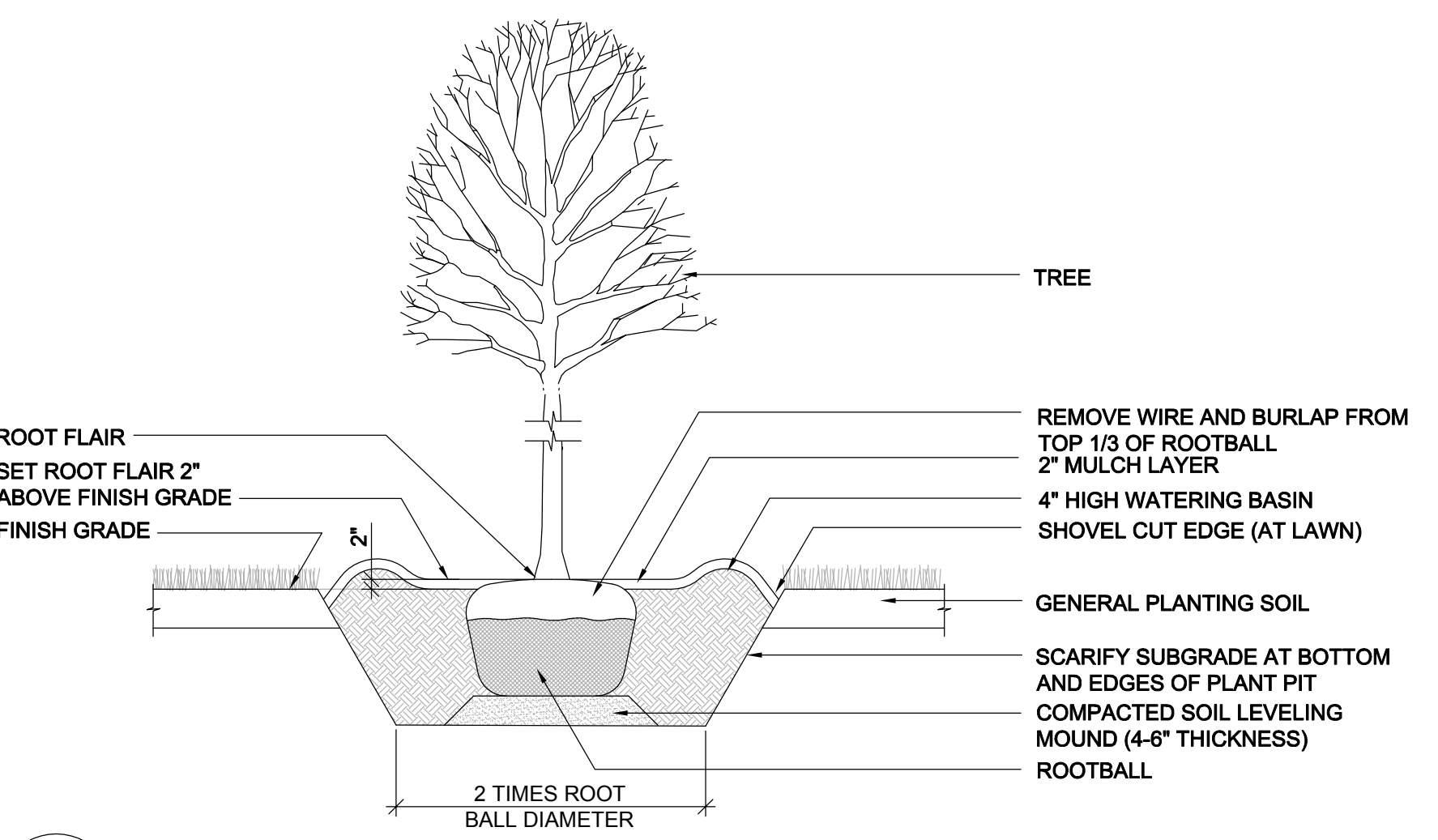
5 PLANT SPACING DIAGRAM
SCALE: N.T.S.

SYMBOL	BOTANICAL NAME	COMMON NAME	SIZE	REMARKS
DECIDUOUS TREES				
APB	ACER PALMATUM 'BLOODGOOD'	BLOODGOOD JAPANESE MAPLE	8'-10' HT.	B&B, NO BRANCHES BELOW 4' MIN.
ARA	ACER RUBRUM 'ARMSTRONG'	ARMSTRONG RED MAPLE	2 1/2 - 3' CAL.	B&B, NO BRANCHES BELOW 4' MIN.
ARK	ACER RUBRUM 'YARPPICK'	AUTUMN BLAZE MAPLE	2 1/2 - 3' CAL.	B&B, NO BRANCHES BELOW 4' MIN.
ARR	ACER RUBRUM 'RED SUNSET'	RED SUNSET MAPLE	2 1/2 - 3' CAL.	B&B, NO BRANCHES BELOW 4' MIN.
AS	ACER SACCHARUM 'GREEN MOUNTAIN'	GREEN MOUNTAIN SUGAR MAPLE	2 1/2 - 3' CAL.	B&B, NO BRANCHES BELOW 4' MIN.
CB	CARPINUS BETULUS 'FASTIGIATA'	EUROPEAN HORNBEAN	2 1/2 - 3' CAL.	B&B
GB	GWINKO BILoba	GWINKO	2 1/2 - 4' CAL.	B&B, NO BRANCHES BELOW 4' MIN.
MG	METASEQUOIA GLYPTOSTROBILIDES	DAWN REDWOOD	8'-10' HT.	B&B, BRANCHES TO THE GROUND.
LT	LIRIODENDRON TULIPIFERA	TULIP TREE	2 1/2 - 3' CAL.	B&B, NO BRANCHES BELOW 4' MIN.
OP	QUERCUS PALustris	PIN OAK	2 1/2 - 3' CAL.	B&B, NO BRANCHES BELOW 4' MIN.
OR	QUERCUS RUBRA	RED OAK	2 1/2 - 3' CAL.	B&B, NO BRANCHES BELOW 4' MIN.
SJ	SAPHORA JAPONICA 'REGENT'	REGENT SCHOLAR TREE	2 1/2 - 3' CAL.	B&B, NO BRANCHES BELOW 4' MIN.
UM	ULMUS AMERICANA 'VALLEY FORGE'	VALLEY FORGE ELM	2 1/2 - 3' CAL.	B&B, NO BRANCHES BELOW 4' MIN.
ZS	ZELKOVA SERRATA 'GREEN WASE'	GREEN WASE ZELKOVA	2 1/2 - 3' CAL.	B&B, NO BRANCHES BELOW 4' MIN.
FLOWERING TREES				
AC	AMELANCHIER CANADENSIS	COMMON SERVICEBERRY	8'-10' HT.	B&B, NO BRANCHES BELOW 4' MIN. MULTI STEM
MS	MALUS SARGENTI	SARGENT CRABAPPLE	8'-10' HT.	B&B, NO BRANCHES BELOW 4' MIN.
PCC	PYRUS CALLERYANA 'CHANTICLEER'	CHANTICLEER CALLER PEAR	2 1/2 - 3' CAL.	B&B, NO BRANCHES BELOW 4' MIN.
PSC	PRUNUS SARGENTI 'COLUMNARIS'	COLUMNAR SARGENT CHERRY	2 1/2 - 3' CAL.	B&B, NO BRANCHES BELOW 4' MIN.
PSA	PRUNUS SERRULATA 'AMANOGAWA'	AMANOGAWA JAPANESE FLOWERING CHERRY	2 1/2 - 3' CAL.	B&B, NO BRANCHES BELOW 4' MIN.
EVERGREEN TREES				
PS	PINUS STROBUS	EASTERN WHITE PINE	10'-12' HT.	B&B, BRANCHED TO GROUND
DECIDUOUS SHRUBS				
APF	AZALEA 'PINK AND SHEET'	PINK AND SHEET AZALEA	30" HT. SPR.	42" O.C., TRIA. SP.
CAE	CORNUS ALBA 'ELEGANTISSIMA'	VAREGATED DOGWOOD	3'-4' #5 CONT.	8" O.C. OR AS NOTED
CS	CORNUS SERICEA	RED TWIG DOGWOOD	3'-4' #4 CONT.	8" O.C., TRIA. SP.
FAD	FORSYTHIA 'ARNOLD DWARF'	ARNOLD DWARF FORSYTHIA	24" HT. SPR.	48" O.C., TRIA. SP.
SPA	SPIREA BIMALDA 'GOLD FLAME'	GOLD FLAME SPIREA	24" HT. SPR.	48" O.C., TRIA. SP.
VD	VIBURNUM DENTATUM	ARROWWOOD VIBURNUM	5'-8' B&B	8" O.C. OR AS NOTED
EVERGREEN SHRUBS				
IG	ILEX GLABRA 'NORDIC'	NORDIC HEBERRY	30" HT. SPR.	42" O.C., TRIA. SP.
JUC	JUNIPERUS CHINENSIS 'VAR. SARGENTI HENRY'	SARGENT JUNIPER	18" HT. SPR.	42" O.C., TRIA. SP.
JUG	JUNIPERUS CHINENSIS 'SEAGREEN'	SEAGREEN JUNIPER	30" HT. SPR.	42" O.C., TRIA. SP.
RC	RHOODODENDRON CATAMBIENS	CATAMBA RHOODODENDRON	30" HT. SPR.	42" O.C., TRIA. SP.
GRASSES / PERENNIALS / GROUND COVERS				
CM	CAREX MUSFELIENSIS 'DEHME'	DEHME PALM SEDGE	1 GAL. CONT.	18" O.C., TRIA. SP.
DL	HEMEROCALLIS	DAYLILY (ORANGE AND YELLOW)	2 GAL. CONT.	18" O.C., TRIA. SP.
PC	POLYSTICHUM ARCTOSTICHODES	CHRISTMAS FERN	2 GAL. CONT.	24" O.C., TRIA. SP.
PEH	PENNISETUM ALPECOUROIDES 'HAMELY'	HAMELY DWARF FOUNTAIN GRASS	24" HT.	30" O.C., TRIA. SP.
PEM	PENNISETUM ALPECOUROIDES 'MOUDRY'	BLACK FOUNTAIN GRASS	24" HT.	30" O.C., TRIA. SP.
PT	PACHYSANDRA TERMINALLIS	PACHYSANDRA	1 GAL. CONT.	18" O.C., TRIA. SP.
RAIN GARDEN PLANT MIX				
RG	LIATRIS SPICATA	BLAZING STAR	1 GAL. CONT.	20% OF RAIN GARDEN MIX, 30" O.C. TRIA. SP.
	ASTER OBLONGIFOLIUS 'RAYDON'S FAVORITE'	'RAYDON'S FAVORITE' AROMATIC ASTER	1 GAL. CONT.	25% OF RAIN GARDEN MIX, 30" O.C. TRIA. SP.
	IRIS SIBIRICA 'CAESARS BROTHER'	'CAESARS BROTHER' SIBERIAN IRIS	1 GAL. CONT.	15% OF RAIN GARDEN MIX, 30" O.C. TRIA. SP.
	PHYSOSTEGIA VIRGINIANA 'MISS MANNERS'	'MISS MANNERS' OBEDIENT PLANT	1 GAL. CONT.	20% OF RAIN GARDEN MIX, 30" O.C. TRIA. SP.
	RUBROCKIA LACINATA	GREEN HEADED CONE FLOWER	1 GAL. CONT.	10% OF RAIN GARDEN MIX, 30" O.C. TRIA. SP.
	SOLIDAGO RUGOSE 'FIREWORKS'	FIREWORKS' GOLDENROD	1 GAL. CONT.	10% OF RAIN GARDEN MIX, 30" O.C. TRIA. SP.

ABBREVIATIONS:
 CAL CALIPER
 B&B BALLED IN BURLAP
 TRIA. SP. TRIANGULAR SPACING
 O.C. ON CENTER
 #3 CONT #3 SIZED CONTAINER
 HT HEIGHT
 SPR SPREAD

PLANTING NOTES

- ALL AREAS ON THE PLAN INDICATED AS "SOD" SHALL BE SOD LAWN.
- ALL AREAS INDICATED AS "LAWN" SHALL BE HYDROSEEDED LAWN.
- REFER TO THE LAWNS AND GRASSES SPECIFICATION FOR FURTHER INFORMATION ON LAWN SEED MIXES.
- ANY AREAS OF THE SITE, NOT OTHERWISE DESIGNATED, WHICH ARE DISTURBED DURING CONSTRUCTION SHALL BE HYDROSEEDED LAWN, UNLESS OTHERWISE DIRECTED.
- PLACE A 2" LAYER OF SHREDDED PINE BARK MULCH OVER ALL BEDS AND OVER ALL TREE PITS.
- CONTRACTOR SHALL VERIFY PLANT COUNTS BY CONFIRMING PLANTING PLAN AND PLANT LIST FOR ACCURACY DURING THE BIDDING PROCESS. REPORT ANY DISCREPANCIES IMMEDIATELY FOR CLARIFICATION BY THE LANDSCAPE ARCHITECT DURING THE ADDENDUM PHASE OF THE PROJECT.



1 DECIDUOUS TREE PLANTING
SCALE: N.T.S.

Architect:
omr architects inc
 543 Massachusetts Ave, West Acton, MA 01720
 www.omr-architects.com t: 978.264.0160

Consulting Engineer:
Brown | Sardina
 Brown Sardina, Inc.
 Planning, Landscape Architecture
 129 South Street Boston, MA 02111
 Tel: 617.482.4703 Facsimile: 617.482.4882
 www.brownsardina.com

Registration:
Design Development Submission

Project Name and Address:
Concord-Carlisle Regional High School
 500 Walden Street
 Concord, MA 01742

Issue Submissions:

No.	Date	Description
1	8/15/2012	Design Development Submission

Title:
Planting Details
 Date: August 15, 2012
 Scale: AS NOTED
 Drawn: LPO/BB
 Checked: WFB

Project No.:
1102.00
 Drawing No.:
L4.1F
 © omr architects inc